

# Albeo™ LED Luminaire

High Bay Lighting  
(ABV2-Series)



**current**  
powered by GE

## Product Features

Expanding on the award-winning ABV-Series, the Albeo™ ABV2 LED luminaire is an exceptional mixture of value and performance. With improved efficacy, more options, and higher lumen output, the Albeo™ ABV2 is ideal for high bay and low bay applications in industrial and commercial buildings. Designed to replace 250W-1500W HID and four-to eight-lamp T5/T8 HIF fixtures, the Albeo™ ABV2 can be combined with motion sensors and wireless controls for increased energy savings and controllability.

### Applications

- Designed to meet recommended luminance and illuminance requirements for High bay and Low bay applications.





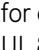
### Housing

- Combination of steel and aluminum housing.
- ABV-Series' design accommodates 1, 2 or 3 modules with 2 LED strips per module.

### LED & Optical Assembly

- ABV-Series optical system enable LEDs to provide optimized illumination for open floor and racked aisles with photometric distributions of 55, 90 and 120 degrees.
- Utilizes high brightness LEDs, 70 CRI at 4000K & 5000K typical. 80 CRI at 3000K, 3500K, 4000K & 5000K typical, and 90 CRI at 4000K.
- LM-79, LM 80 tests and reports are performed in accordance to IESNA standards.

### Ratings

- RoHs
-   UL 1598 Suitable for Damp Locations
-  DLC **Premium** on select 70 CRI and 80 CRI configurations.
-  DLC **Standard** on all CRI configurations.
-  Please refer to: <http://www.designlights.org/QPL> for complete information.
- UL 8750 LED equipment in Lighting Products
- Temperature Rated at -30°C to +55°C (-22°F to 131° F).  
\*E output temperature rated at -30°C to +40°C (-22°F to +104°F) for 120-277V with a maximum temperature rating reduced by 2° C for 347/480V.
- Projected L70(10k) ≥ 100,000 Life Hours per IES TM-21.


### Mounting

- Chain or Cable mounting ready, threaded rod kit, ¾" pendant mount kit, and surface mount\* optional.
- Cord and plug options offered.  
*\* Max. temperature rating reduced by 5°C*

### Finish

- Painted white finish

### Controls

- Motion and Daylight sensor can be combined with the ABV-Series for additional energy savings.
-  Daintree™ wireless controls
- Emergency Battery Backup options available

### Electrical

- 120-277 volt, 347 and 480 volt available.
- System power factor is >90%\* and THD <20%.\*
- EMI: FCC CFR Title 47 Part 15, Class A.

*\* System power factor and THD is tested and specified at 120V input and maximum load conditions.*

### Warranty

- 5-year limited system warranty standard.



# Ordering Number Logic

## High Bay (ABV2)



**ABV2**

**V**

**W**

PRODUCT ID	VOLTAGE (UL)	MODULE	LUMEN OUTPUT	LED COLOR TEMP	OPTICS BEAM	MOTION/DAYLIGHT SENSOR	CONTROL WIRING	MOUNTING	CORD	PLUG	FINISH	OPTIONS
<b>A</b> = Albeo	<b>0</b> = 120/277 <b>1</b> = 120* <b>2</b> = 208* <b>4</b> = 277* <b>5</b> = 480* <b>D</b> = 347*	<b>1</b> = 1 module <b>2</b> = 2 modules <b>3</b> = 3 modules* <b>*NOTE:</b> V Output Only	<b>T</b> = Standard <b>V</b> = Very High Output <b>E</b> = Elevated Output	<b>70 Plus CRI</b> <b>47</b> = 4000K <b>57</b> = 5000K  <b>80 Plus CRI</b> <b>38</b> = 3000K <b>C8</b> = 3500K <b>48</b> = 4000K <b>58</b> = 5000K  <b>90 Plus CRI</b> <b>49</b> = 4000K	<b>1</b> = 120° Open Optic <b>5</b> = 55° Open Optic <b>9</b> = 90° Open Optic <b>D</b> = 120° Diffused lens	<b>1</b> = 20' mtg height sensor <b>2</b> = 40' mtg height sensor <b>4</b> = Daintree™ Wireless Enabled Motion Sensor* <b>N</b> = None  <b>*Required for Wireless Enabled Fixture.</b>  <b>NOTE:</b> 347/480V photocell/daylight and wireless controls are compatible with T and V outputs only. 347/480V T and V outputs with controls increase power consumption by ~5-10%, consult factory for more information.	<b>V</b> = 0-10V	<b>ST</b> = Standard <b>22</b> = 1/2" Threaded rod mount kit <b>SM</b> = Surface Mount*  <b>Red and nuts not included</b>  <b>23</b> = 3/4" Pendant Mount Kit  <b>3/4" conduit not included</b>  <b>41</b> = Y-Cable/ Hook 5 ft. <b>42</b> = Y-Cable/ Hook 10 ft. <b>43</b> = Y-Cable/ Hook 15 ft. <b>44</b> = Y-Cable/ Hook 20 ft.  See Mounting & Accessories  <b>NOTE:</b> *Max. temperature rating reduced by 5° C	<b>K</b> = Knock out access <b>A</b> = 6 ft. 18-3 cord <b>B</b> = 12 ft. 18-3 cord	<b>N</b> = None <b>A</b> = 15A straight plug <b>B</b> = 20A straight plug <b>C</b> = 15A twist lock plug <b>D</b> = 20A twist lock plug	<b>W</b> = White Powder Coat	<b>EL1</b> = 120° Battery Backup* <b>EL5</b> = 50° Battery Backup*  *Battery Backup not available for 347V-480V

MODULE #	OUTPUT LEVEL	TYPICAL INITIAL LUMENS @ 5000K		TYPICAL POWER		TYPICAL LPW	MAXIMUM AMBIENT TEMPERATURE
		70 CRI	120-277V	347/480V			
1	T	9,100	53	55	165	55°C	
1	V	12,100	74	75	161	55°C	
1	E	18,200	121	122	149	40°C*	
2	T	18,300	107	107	171	55°C	
2	V	24,300	148	151	161	55°C	
2	E	36,400	243	244	149	40°C*	
3	V	36,400	222	226	161	55°C	

**NOTE:** Lumen data shown is for 120°(1) optic see table below for other light optic factors.  
\*When 347/480V voltage is selected; max. temperature rating reduced by 2° C

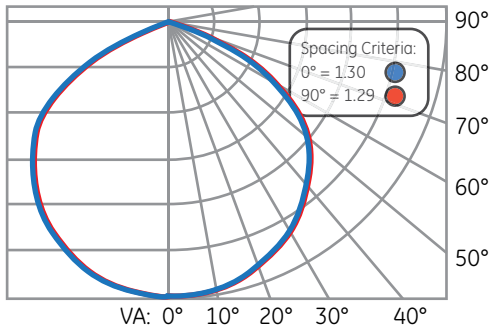
CCT/CRI OFFERINGS	
CRI	CCT
70	4000K
	5000K
80	3000K
	3500K
	4000K
	5000K
90	4000K

OPTICS BEAM	% OUTPUT
120° (1)	100%
55° (5)	93%
90° (9)	96%
120° Diffused (D)	94%

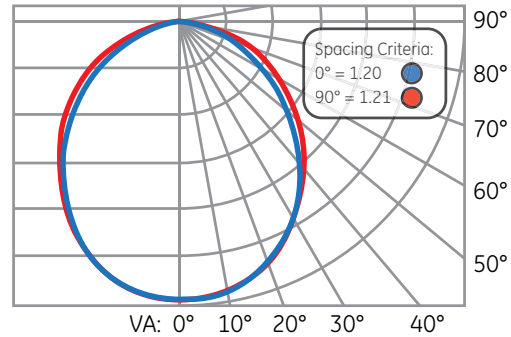
# Photometrics

## Optics for Common Applications

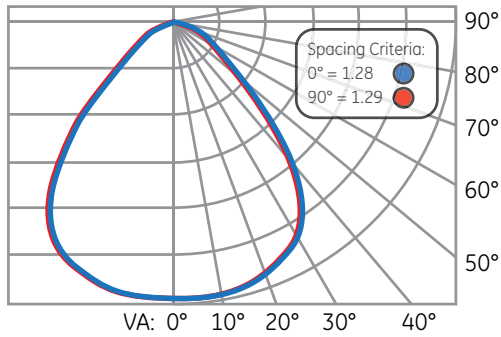
Polar Candela Distribution  
120° Full Beam Angle



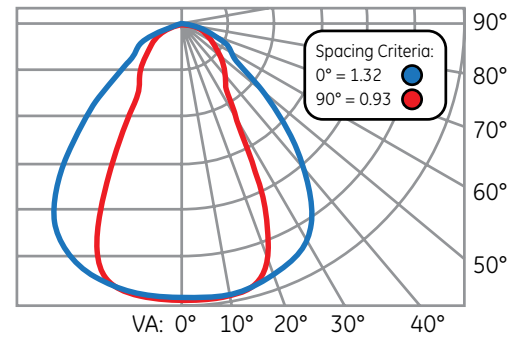
Polar Candela Distribution  
120° Diffused Full Beam Angle



Polar Candela Distribution  
90° Full Beam Angle



Polar Candela Distribution  
55° Full Beam Angle

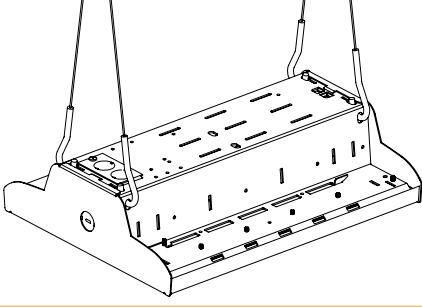
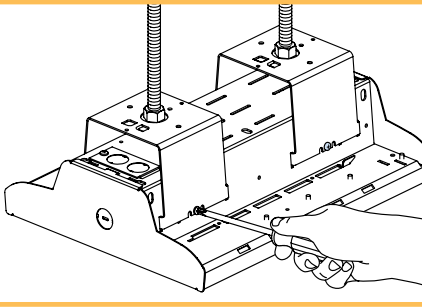
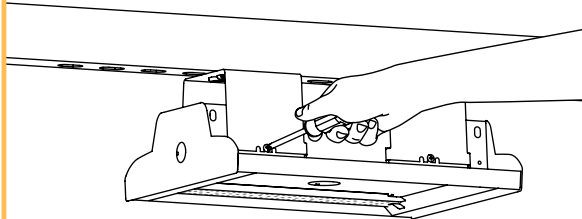
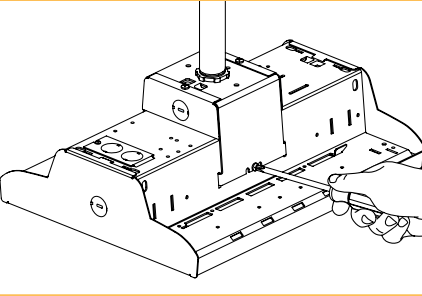




## Photometric selection by application

The Albeo™ ABV-Series optical system enables LEDs to provide precise illumination where needed. Optics are designed for commercial & industrial applications where mounting height, fixture spacing & light levels help determine optical selection. The following table outlines the photometric options and suggested application. Consult factory for specific project layouts.

OPTIC TYPE	MOUNTING HEIGHT	SPACE TYPE
120° Diffused Lens	Below 20 Feet	Open Floor Plan
120° Open Optic	Any	Open Floor Plan
90° Open Optic	Any	Open Floor Plan
55° Open Optic	Any	Low or High Bay Racked Aisles

## Mounting & Accessories

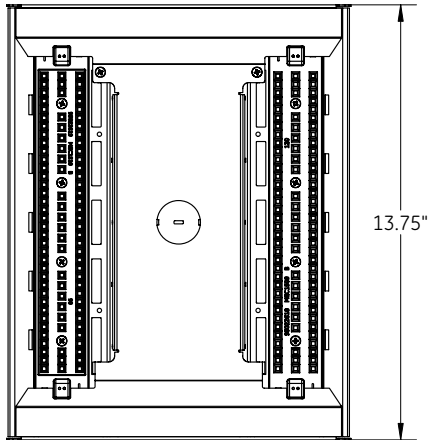
MOUNTING OPTIONS	IMAGE	ORDER LOGIC CODE
<p><b>Standard Chain/Cable Mount</b> Available on all fixture configurations (chain not included). Y-Cable w/hook can be ordered as an accessory.</p>		<p>ST = Standard</p>
<p><b>Rod Mount (optional)</b> Available on all fixture configurations. Attaches to 1/2" threaded rod (rod and nuts not included).</p>		<p>22 = 1/2" Threaded Rod Kit</p>
<p><b>Surface Mount* (optional)</b> Available on all fixture configurations. Attaches to structural member in ceiling. (Hardware not included.) <i>* Temperature rating reduced by 5°C</i></p>		<p>SM = Surface Mount</p>
<p><b>Pendant Mount (optional)</b> Available on all fixture configurations. Attaches to 3/4" threaded conduit (conduit not included).</p>		<p>23 = 3/4" Pendant Mount Kit</p>
<p><b>Y-Cable w/hook (optional)</b> Use with Standard Mounting Option only. Order separately. Price adder per pair. 5 ft., 10 ft., 15 ft., 20 ft. lengths available.</p>		<p>41=Y-Cable-Hook-05ft-Pair 42=Y-Cable-Hook-10ft-Pair 43=Y-Cable-Hook-15ft-Pair 44=Y-Cable-Hook-20ft-Pair Max Load: 200 lbs. per pair</p>
<p><b>Remote Handheld Configuration Tool</b> Order separately. Use with Watt Stopper™ remote sensors. Available with all 120-277V configurations. 347/480V configurations available with T and V outputs only.</p>		<p>Part Number: SWI0100</p>

Chain/cable mount is standard and included in price. Price adder for Y-Cable, Rod Mount, and Pendant Mount. Consult Sales for latest information. See "Installation Instructions" for mounting details.

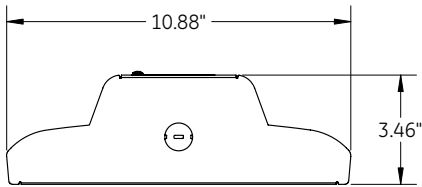
# Product Dimensions

## High Bay (ABV2)

### 1-Module

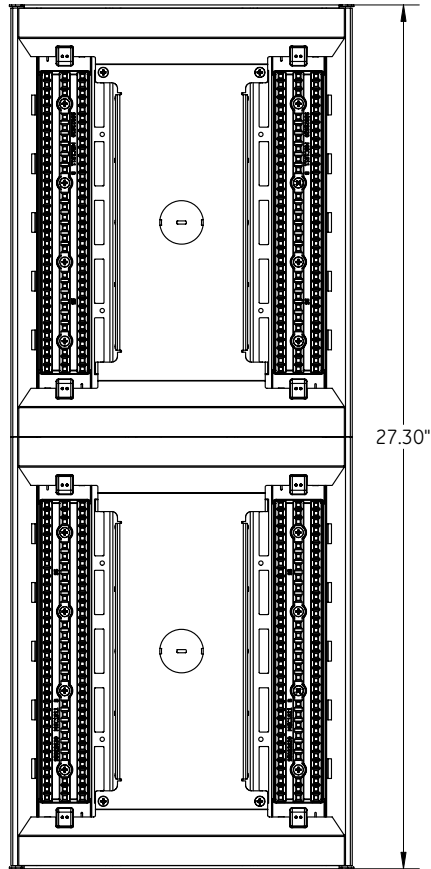


Max. Weight: 10 lbs



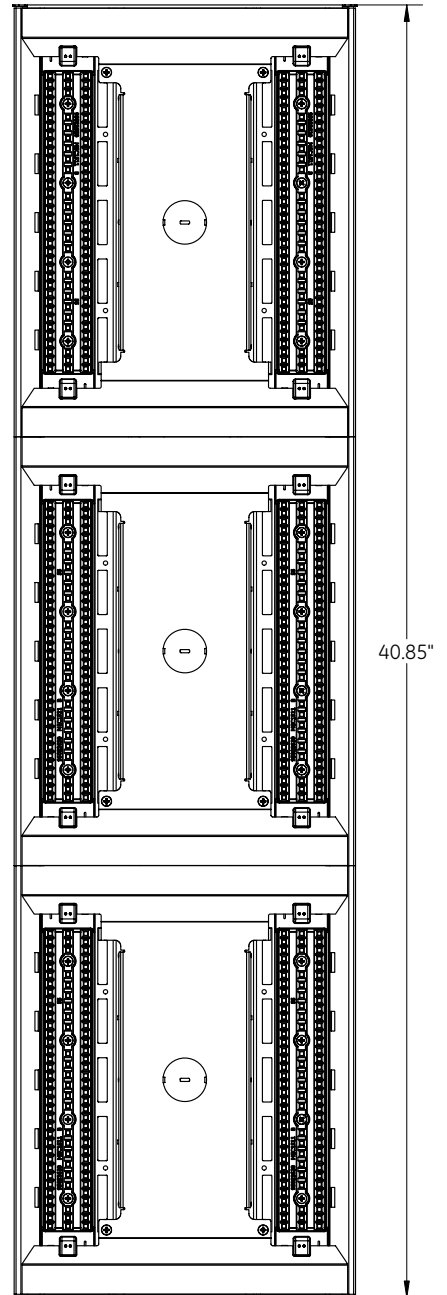
### Side View

### 2-Module



Max. Weight: 20 lbs

### 3-Module



Max. Weight: 30 lbs



[www.currentbyge.com](http://www.currentbyge.com)

All trademarks are the property of their respective owners. Information provided is subject to change without notice. All values are design or typical values when measured under laboratory conditions. Current, powered by GE is a business of the General Electric Company. © 2017 GE.

ALB055 (Rev 02/07/17)